
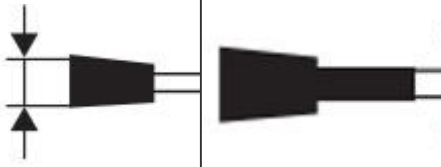

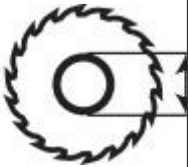
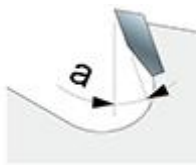
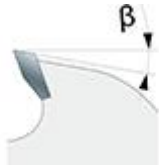
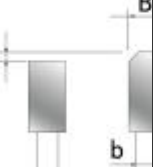
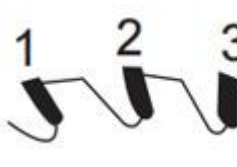


Outer Diameter D (mm)	Tooth Width B (mm)	Body Thickness b (mm)	Bore d (mm)	Cutting Angle a	Back Angle β	T-type	Number of Teeth z
							
D(mm)	B (mm)	b(mm)	d (mm)	a	β	T-type	Z
100	1.6	1.2	20	0°	12°	TCG	22
110	1.6	1.2	20	0°	12°	TCG	24
125	1.6	1.2	20	0°	12°	TCG	24
							28
150	1.8	1.4	20	0°	12°	TCG	30
							36

160	1.8	1.4	20	0°	12°	TCG	30
							36
180	1.8	1.4	20	0°	12°	TCG	36
							40
185	1.8	1.4	20	0°	12°	TCG	40
							48
190	1.8	1.4	30	0°	12°	TCG	36
							40
210	1.8	1.4	30	0°	12°	TCG	40
							44
230	2.0	1.6	25.4/30	0°	12°	TCG	44
							48

255	2.0	1.6	25.4/30	0°	12°	TCG	48
							52
							60
305	2.2	1.8	25.4/30	0°	12°	TCG	60
							80
355	2.4	2.0	25.4/30	0°	12°	TCG	66
							72
							90
400	3.0	2.5	25.4/30	0°	12°	TCG	66
							72
							90
Remarks:Other specifications can be customized as requested. OEM and ODM services provided							

